

JSL-15

Intel® Jasper Lake Processor based Mini ITX Motherboard



Features

- CPU: Intel Jasper Lake processors
- Memory: Single Channel SO-DIMM DDR4 up to 16GB
- Display: Intel UHD Graphics display via HDMI, VGA and LVDS
- Ethernet: 10/100/1000 Mbps
- Storage: M.2 for SSD, SATA, eMMC optional
- Expansion: M.2 for WiFi, TPM2.0 for Security optional
- Power: 12V/19V DC-in



IoT Solutions
Alliance
Industrial Solution
Builders Specialist

Maxtang[®]

MAXIMIZING YOUR COMPUTING PRODUCTIVITY

Introduction

The Maxtang JSL-15 mini-ITX embedded motherboard is based on Intel Jasper Lake processors, provides a complete PC platform with high performance. Features single Channel SO-DIMM DDR4 up to 16GB for memory and SATA, M.2 for storage. Intel integrated UHD graphics display via HDMI2.0, VGA, and eDP/LVDS. It supports WiFi and TPM2.0 for added Security. Rich interfaces include 1xLAN, 4xUSB3.2, and 3xUSB2.0*header cater to most market's requirements.

The JSL-15 offers a lot of functionality right off the rear panel and its internal headers. The board is composed of high-quality components intended for a long-life operation, perfect for various applications. It retains a robust design like all other Maxtang products with stability, reliability, and cost advantages.

I/O Interfaces



H/W Monitor



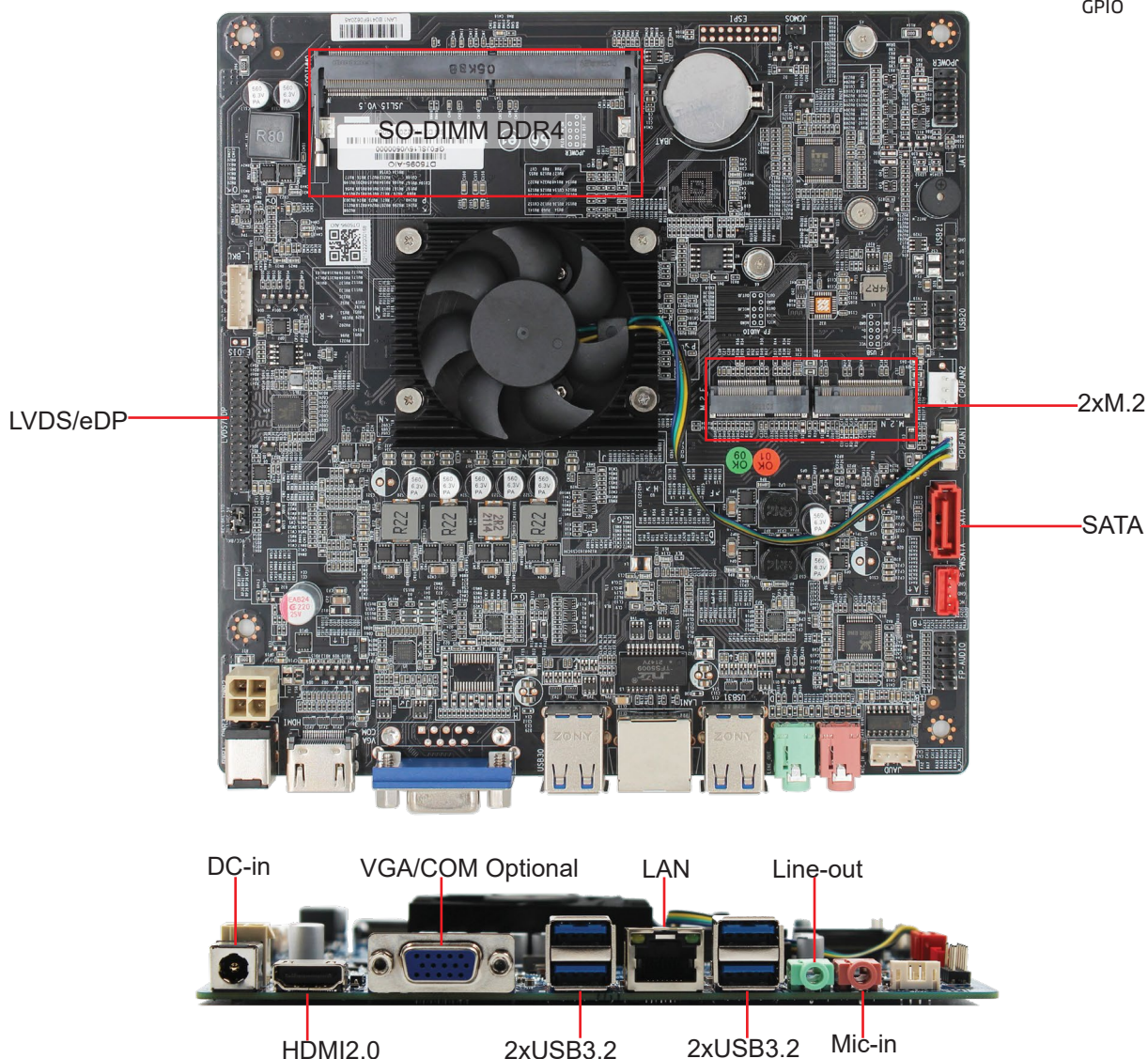
Watchdog



GPIO



Brightness

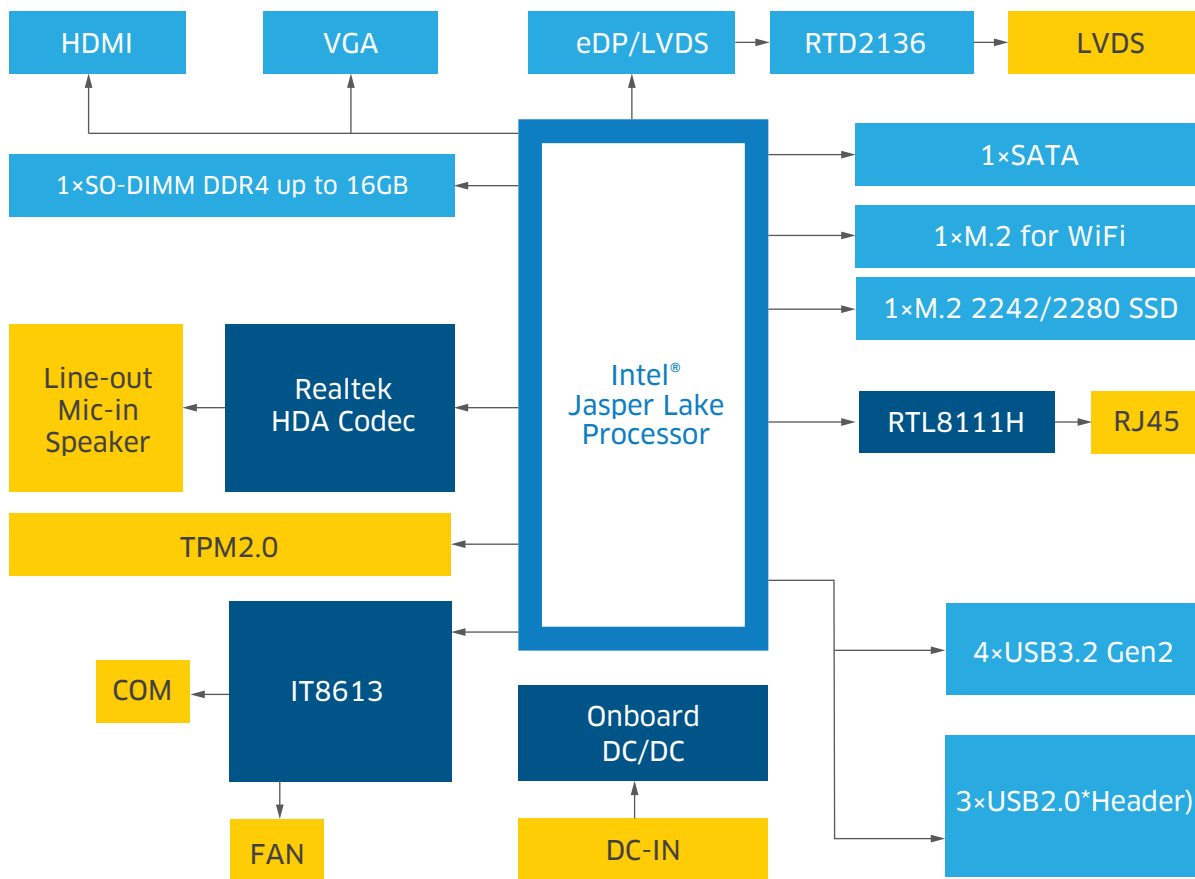


Technical Specifications

Processor	CPU	N5095/A	N5105	N4500
	# of Cores/Threads	4/4	4/4	2/2
	Burst Frequency	2.90GHz	2.90GHz	2.80GHz
	Base Frequency	2.00GHz	2.00GHz	1.10GHz
	Cache	4MB	4MB	4MB
	TDP	15W	10W	6W
	BIOS	AMI UEFI BIOS		
	Memory	Type	Single Channel SO-DIMM DDR4	
Max.Capacity		16GB		
Display	GPU	Intel Integrated UHD Graphics		
	Display via	1xHDMI2.0+1xVGA(Optional with COM)+1xLVDS/eDP		
Ethernet	Speed	10/100/1000Mbps		
	Controller	RTL8111H		
	Interface	RJ45		
	Wake on LAN	Yes		
Audio	Audio Codec	Realtek HD		
	Interface	Line-out, Mic-in, audio header, amplifier header		
Hardware	CPU System Temperature, Onboard voltage, Watchdog, Auto power on			
Storage	M.2	1×M.2 2242/2280 SATA		
	SATA	1		
	eMMC	Optional		
Expansion I/O Interface	M.2	1×M.2 for WiFi		
	LAN	1		
	USB3.2	4		
	USB2.0	3 *header		
	COM	1*RS232, Optional with VGA		
	Audio	1×Line-out, 1×Mic-in		
	TPM2.0	Onboard, optional		
	Dimension	Size	170mm×170mm	
Board Type		Mini-ITX		
Power	Standard Port	12V/19V DC-in		
	Peripheral Input	For Fan and SATA		
	Operating Temp.	-20°C ~60°C		
	Storage Temp.	-40°C ~80°C		
Operating System	Win10 64 bit, Linux 64 bit			

* All specifications and photos are subject to change without notice.

Functional Block Diagram



Copyright © 2018 Maxtang Technology Co., Ltd. All rights reserved. All data is for information purposes only and not guaranteed for legal purposes. Information has been carefully checked and is believed to be accurate however, no responsibility is assumed for inaccuracies. Maxtang and the Maxtang logo and all other trademarks or registered trademarks are the property of their respective owners and are recognized.