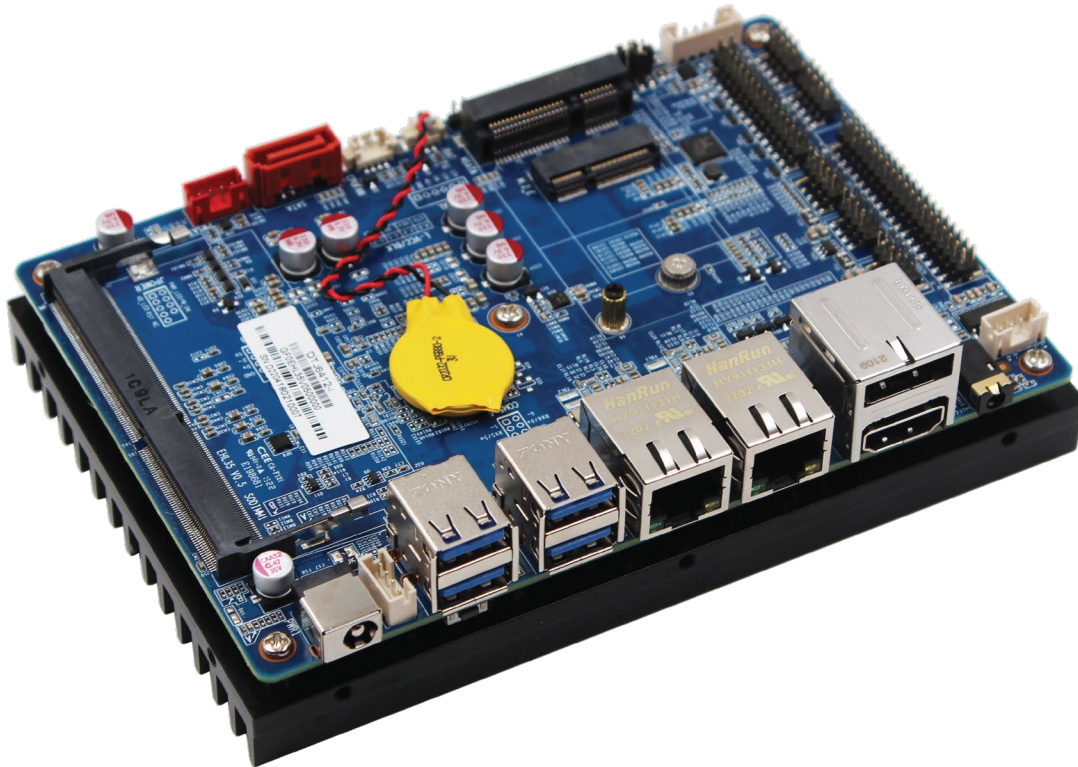


EHL-35

Intel® Elkhart Lake Processor based 3.5" Disk Size Motherboard



Features

- CPU: Intel® Celeron® Processor J6412
- Memory: Single Channel SO-DIMM DDR4 up to 32GB
- Display: Integrated Graphics display via HDMI, DP, eDP/LVDS
- Ethernet: 10/100/1000 Mbps
- Storage: SATA3.0, mSATA
- Expansion: 1xM.2 for WiFi
- Power: 12V DC input



IoT Solutions
Alliance
Industrial Solution
Builders Specialist

Maxtang[®]

MAXIMIZING YOUR COMPUTING PRODUCTIVITY

Introduction

The Maxtang EHL-35 is a 3.5" disk-size single-board based on the Intel Celeron J6412 processor, 4Cores 4Threads, 1.5M Cache, and up to 2.60GHz for burst frequency. It supports 1xSO-DIMM DDR4 max to 32 GB, and displays via Intel UHD Graphics through HDMI, DP, and eDP. Features two 10/100/1000 Mbps Ethernet controllers, M.2 for Wi-Fi, SATA, and mSATA for storage. A rich input/output interface includes 6xCOM, 8xUSB, GPIO, and CTIA audio jack with standard 12V DC-in, which caters to most market requirements.

The board provides powerful performance with low power consumption, ideal for various industrial applications. It retains a robust design at a new cost-effective price point and is great for energy saving. The sustainable features with a long-lasting life cycle bring increased productivity with stable, reliable real-time production.



H/W Monitor



Watchdog

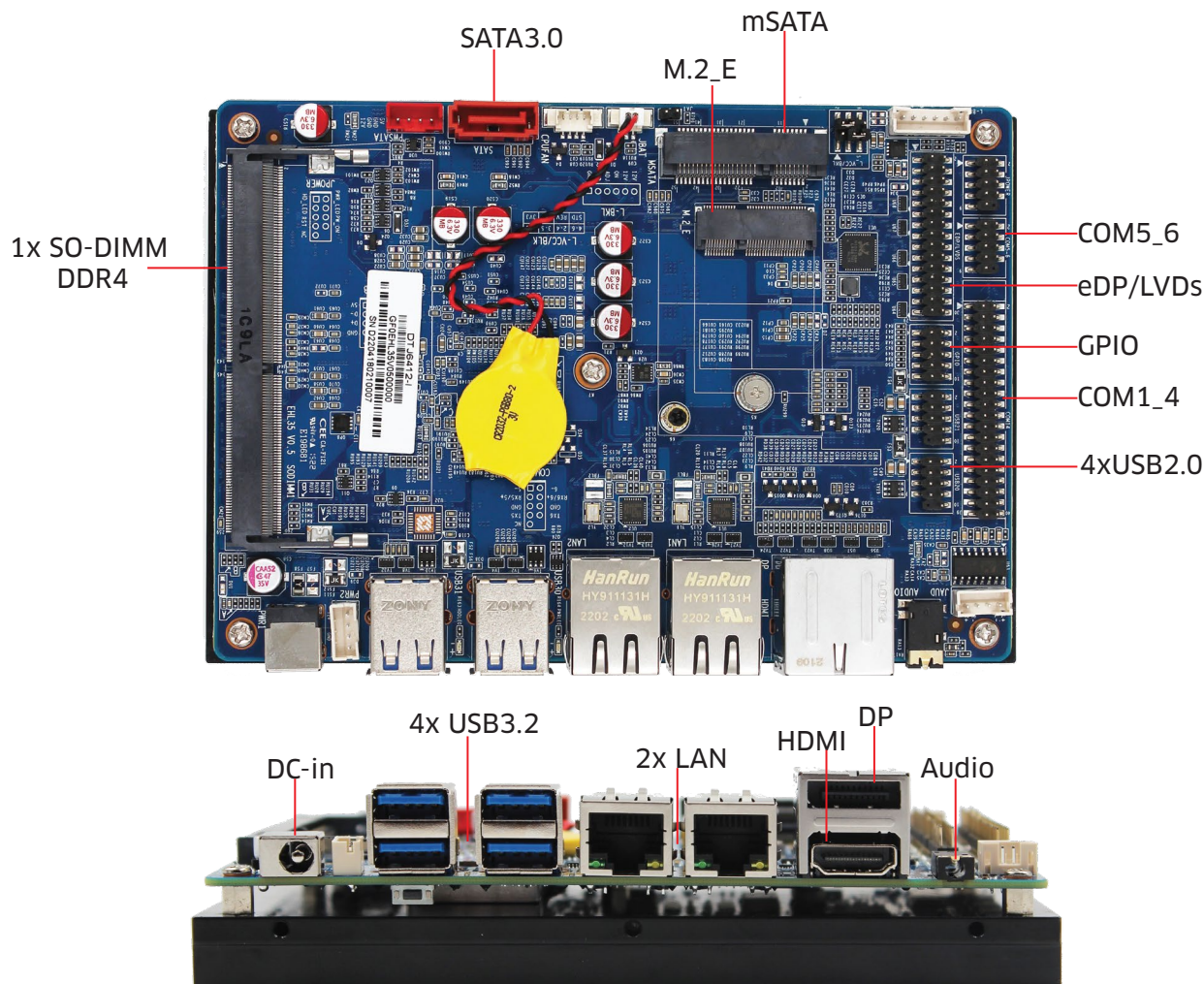


GPIO



Brightness

I/O Interfaces

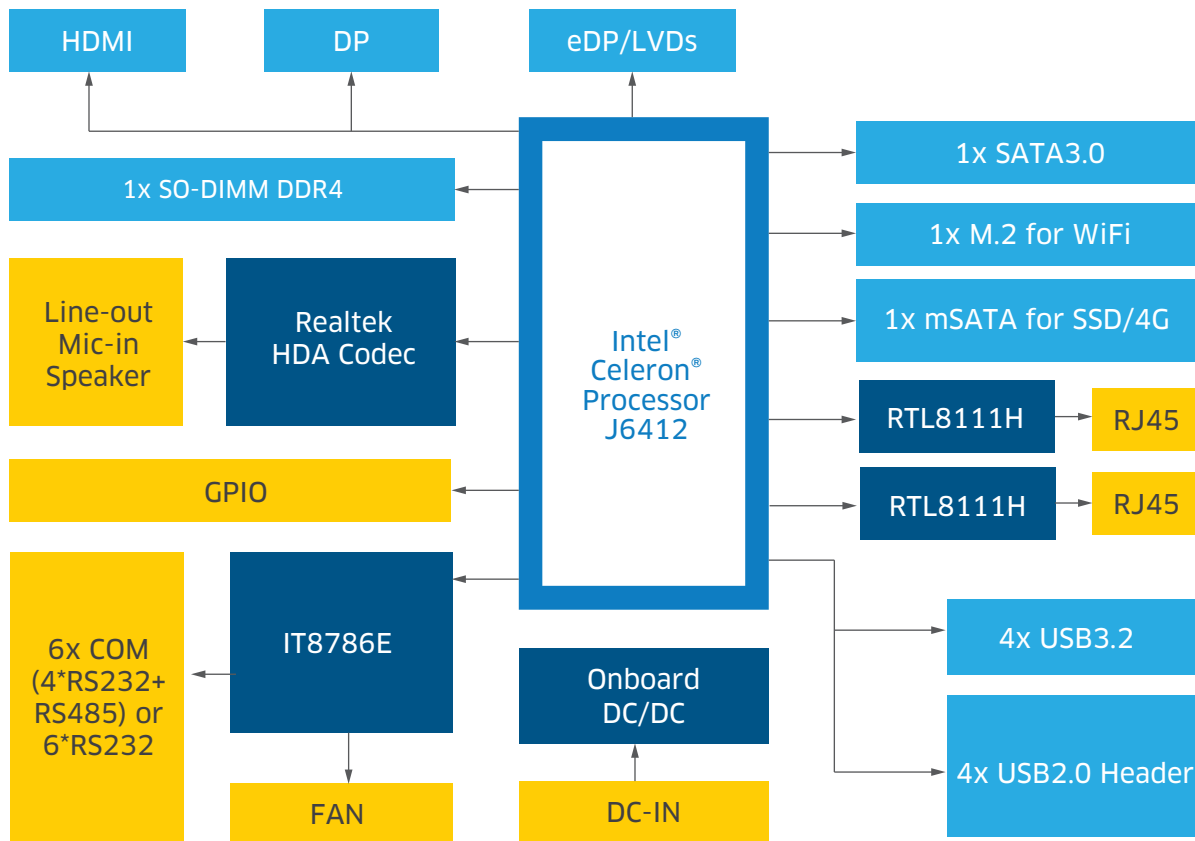


Technical Specifications

Processor	CPU	Celeron J6412	
	Base Frequency	2.0GHz	
	Max Turbo Frequency	2.6GHz	
	Cache	1.5MB	
	BIOS	AMI UEFI BIOS	
Memory	Type	Single Channel SO-DIMM DDR4	
	Max. Capacity	32GB	
Display	GPU	Intel Integrated Graphics based on CPU	
	Display via	1xHDMI + 1xDP + 1x eDP/LVDS	
Ethernet	Speed	10/100/1000 Mbps	
	Controller	RTL8111H	
	Interface	RJ45	
	Wake on LAN	Yes	
Audio	Audio Codec	Realtek HD	
	Interface	1xCTIA Line-out + Mic-in in one, supports power amplifier	
Hardware	CPU system temperature, on-board DC-in voltage, watchdog, auto power on		
Storage	mSATA	1x mSATA for SSD/4G Module	
	SATA3.0	1x SATA 2.5-inch HDD	
Expansion	M.2	1x M.2 Key_E for Wi-Fi	
I/O Interface	LAN	2	
	COM	4*RS232+2*RS485(COM5_6) or 6*RS232	
	USB3.2	4	
	USB2.0	4*header	
	Audio	1 (Line-out+Mic-in)	
	GPIO	8	
	Dimension	Size	146 mm x 102mm
		Board Type	3.5" Disk Size SBC
Power	Standard Port	12V DC-in	
	Peripheral Input	For Fan and SATA	
	LED Indicator	Power Indicator	
Temperature	Operating Temp.	-20°C to 60°C	
	Storage Temp.	-40°C to 80°C	
Operating System	Win10/11 64bit, Linux 64bit		

* All specifications and photos are subject to change without notice.

Functional Block Diagram



Order Information

Model Name	Description
DTJ6412-I	DT Intel Celeron J6412 EHL35V1 1DDR4 2LAN 4*RS232 2*RS485 DP+HDMI+LVDS

*For customized options, please consult regional sales. And please confirm the model name and description before purchasing. *The model name and description might vary due to inventory changes.